

SmartROC D65

DTH surface drill rig for quarrying and mining

SmartROC D65 hole diameter: 110–229 mm (4.3–9")



Intelligent, automated and future-proof

The SmartROC D65 down-the-hole drill rig brings the future of mining within your reach today. Give your operation the chance to profit from the added intelligence of this market-leading drill rig.

The new efficient SmartROC D65 consistently delivers high-quality blast holes with accuracy and precision. It is loaded with smart features such as automated drilling and rod handling. The automation-ready platform also includes an Auto Feed Fold option. With a single action, the Auto Feed Fold enables the operator to fold the feed for tramming or position it for drilling. This also comes in handy when operating one or more drill rigs remotely with the BenchREMOTE option. The extra long feed with 8 meter pipes makes it possible to drill 16 m production holes with just one rod-adding. It's also possible to drill 229 mm holes (9 inches) thanks to the power of the COP M7 hammer.

All these features and flexibility are packed in a rig which is economical to run due to the intelligent control of the compressor and engine rpm. The SmartROC D65 also uses 300 liters less hydraulic oil than previous versions and features fewer hoses and pumps. This helps to further reduce costs and makes servicing easier, whilst increasing sustainability and reducing the environmental impact of the rig. The SmartROC D65 is controlled via an advanced rig control system displayed on a touch screen inside the comfortable, air-conditioned FOPS and ROPS-certified cabin. It presents everything from drilling parameters to real-time Measure While Drilling data (MWD). A SmartROC rig from Epiroc can significantly raise quality across the whole operation.



⊕ Main benefits

Intelligent, automated and future-proof as a result of Epiroc's unique Smart technology

Improved fuel consumption due to the automatic control of compressor-load and engine rpm

Efficient, productive and consistent thanks to automated drilling and rod handling

Revolutionize your mining operation

The SmartROC D65 is built to face the toughest of conditions. It's loaded with intelligent features that will improve your operations, increase safety and boost productivity. This rig is constantly evolving since its introduction in order to ensure that your investment delivers increased production and profitability shift-after-shift.



+ Increase drilling time with the extra long feed

The SmartROC D65 is available with an optional extra long feed (XLF). It carries 8 meter rods with a diameter of 89, 102, 114, 127 or 140 mm. The feed can also be easily adapted to take 6 meter rods if required. The XLF option means that the rig spends less time threading and unthreading rods. In addition, the drill string is extracted more rapidly. All this adds up to more holes drilled per shift which increases both production and profitability. In order to enhance stability, Rigs built with this option are also fitted with tracks placed further apart (wide kit).



+ Self-diagnostic capabilities

The SmartROC D65 is well-proven, tough and dependable. However, should a situation arise, the rig features an ingenious self-diagnostic system to help track down problems quickly and effectively to keep downtime to a minimum. SmartROC rigs are also designed to make life easier. The electrical system features a reduced number of cables for example – this reduces problems and makes troubleshooting much quicker.



+ Operate multiple rigs remotely

With the BenchREMOTE option, one person can safely control up to three rigs simultaneously from up to 100 meters away which dramatically increases operator productivity and takes safety to a whole new level. In combination with the Hole Navigation System (HNS), the BenchREMOTE removes the need for operators and surveyors to work in hazardous areas. The Auto Feed Fold option means the rig puts the feed in tramming position automatically – a great help when running rigs remotely.



A comprehensive service offering

Even the best equipment needs to be serviced regularly to make sure it sustains peak performance. An Epiroc service solution offers peace of mind, maximizing availability and performance throughout the lifetime of your equipment. We focus on safety, productivity and reliability.

By combining genuine parts and an Epiroc service from our certified technicians, we safeguard your productivity – wherever you are.

Main components

- Full drill cycle automation
- Documentation by IREDES
- Epiroc Rig Control System (RCS)
- Troubleshooting support via cabin display
- Vaportec compressor control
- ROPS and FOPS approved cabin
- Aluminium profile feed beam
- Pressure regulated break-out table
- Turbo-charged CAT C15 diesel engine
- Atlas Copco high-pressure screw compressor
- Built for use with 4", 5", 6" and 7" down-the-hole hammers
- Electric pump for filling hydraulic oil

*As service intervals may vary, please contact Epiroc customer service when drilling holes larger than 8"

Hole range & length (recommended)

		Metric	US
SmartROC D65	Hammer - COP 44 Gold, COP 54 Gold, COP 64 Gold, COP M6, COP M7	110-229 mm	4.33 - 9' "
Max hole length with hydraulic rod handling system and 5 m (16.4') rods (Standard Feed - SF)			
SmartROC D65	Ø 89, 102, 114 mm (3.5", 4", 4.5") drill rods	45 m	148'
SmartROC D65	Ø 127, 140 mm (5", 5.5") drill rods	25 m	82'
Max hole length with hydraulic rod handling system, 6 m (20') rods and a 7.5 m (24.6') starter rod (Long Feed - LF)			
SmartROC D65	Ø 89, 102, 114 mm (3.5", 4", 4.5") drill rods	55.5 m	182'
SmartROC D65	Ø 127, 140 mm (5", 5.5") drill rods	31.5 m	103'
Max hole length with hydraulic rod handling system, 8 m (26.2') rods (Extra Long Feed - XLF)			
SmartROC D65	Ø 89, 102, 114 mm (3.5", 4", 4.5") drill rods	56 m	183.7'
SmartROC D65	Ø 127, 140 mm (5", 5.5") drill rods	40 m	181'
Single pass drilling, max hole depth			
SmartROC D65 standard feed		5.4 m	18'
SmartROC D65 long feed		7.5 m	24.6'
SmartROC D65 XL feed		8 m	26.3'

Rotary head

	Connection thread	Max rpm	Max torque, drilling	Suitable for DTH-hammer	
			Metric	US	
DHR6 H 45	API 2 3/8" REG. box	137	1 839 Nm	1356 lbf	COP 44 Gold (COP 54 Gold)
DHR6 H 56	API 3 1/2" REG. box	107	2 353 Nm	1735 lbf	COP 54 Gold, COP 64 Gold, COP M6
DHR6 H 68	API 3 1/2" REG. box	68	5 800 Nm	2712 lbf	COP 64 Gold, COP M6
DHR6 H 78	API 3 1/2" REG. box	54	6 600 Nm	3417 lbf	COP 64 Gold, COP M6, COP M7

Electrical system

Voltage	24 V
Batteries	2 x 12 V, 235 Ah
Alternator	28 V, 95 Ah
Work lights, LED type, front	4 x 4 200 Lumen
Work lights, LED type, rear	2 x 4 200 Lumen
Work lights, LED type, feed	2 x 4 200 Lumen
Warning lamp and reverse alarm	

Aluminum feed

Aluminum profile feed with hose guide and double drill tube support with break-out table and movable lower guide/dust hood	Metric	US
Feed rate, max	0.9 m/s	177 ft/min
Feed force, max	40 kN	8 992 lbf
Tractive pull, max	50 kN	11 240 lbf
Feed motor size	2099 cc	0.6 US gal
Chain size	45 mm	1.8"

Standard Feed	Metric	US
Feed extension	1150 mm	45.3'
Travel length	5 400 mm	212.6'
Total length	9 400 mm	370'
Long Feed	Metric	US
Feed extension	1 900 mm	74.8'
Travel length	7 540 mm	296.8'
Total length	11 600 mm	456.7'
XL Feed	Metric	US
Feed extension	1 150 mm	45.3'
Travel length	8 500 mm	334.6'
Total length	12 400 mm	488'

Dust collector

DCT 320 including pre-separator	Metric	US
Filter area	32 m ²	344 sq.ft
Suction capacity at 500 mm wg	1 270 l/s	2 690 cfm
Suction hose diameter	203 mm	8"
Cleaning air pressure, max	8 bar	116 psi
Cleaning air consumption	2-4 l/pulse	0.06-0.12 cfm/pulse
Number of filter elements	32 pcs	

Hydraulic system

Hydraulic oil cooler	Metric	US
Max ambient temperature	55°C	131°F
Pumps	Metric	US
Axial piston pump (1)	225 l/min	59.4 gal/min
Axial piston pump (2)	160 l/min	42.3 gal/min
Axial piston pump (3)	63 l/min	16.6 gal/min
Gear pump (4)	41 l/min	10.8 gal/min
Gear pump (5)	41 l/min	10.8 gal/min

Return and drainage filters (2 x 3 filters)

Filtration rate	10 µm absolute
-----------------	----------------

Engine

CAT C15, turbo-charged, diesel engine, Tier 4 Final /EU Stage 5 (multi-certified for US and EU markets) or Tier 3/stage IIIA	Metric	US
Power rating @ 1 800 rpm	403 kW	540 hp

Weight

Standard unit excluding all options and drill rods (OM)	Metric	US
SmartROC D65 long feed	Tier 3 - 25 550 kg	Tier 4 - 25 800 kg
SmartROC D65 standard feed	Tier 3 - 24 900 kg	Tier 4 - 25 150 kg
SmartROC D65 XL feed	Tier 3 - 26 450 kg	Tier 4 - 26 700 kg

Compressor

Atlas Copco XRX 10, two stage screw type compressor	Metric	US
Working pressure, max	30 bar	435 psi
FAD at 30 bar	470 l/s	995 cfm

Carrier

	Metric	US
Tramming speed, max	3.2 km/h	2.0 mph
Traction force, max	138 kN	31 020 lbf
Ground clearance	405 mm	16"
Track oscillation	±10°	

Volumes

	Metric	US
Hydraulic oil tank	120 l	31.7 gal
Hydraulic system, total	270 l	71.3 gal
Compressor oil	63 l	12 gal
Diesel engine oil	44 l	11.6 gal
Diesel engine, coolant, Tier 3	65 l	17 gal
Diesel engine, coolant, Tier 4	110 l	29 gal
Diesel engine, fuel tank	975 l	258 gal
Traction gear	3 l	0.8 gal
Lubrication tank (HECL)	20 l	5.3 gal
DEF fluid tank (Tier 4 final only)	34 l	9 gal

A fully-automated drill cycle which drills to desired hole length whilst adding and extracting drill rods automatically.

Semi automatic feed alignment system ensures that the hole is aligned exactly as desired.

Reduction in waste thanks to angle drilling and pre-split.



CAT C15 diesel engine in both Tier 4 Final/Stage V and Tier 3 variants.

Cabin

- ROPS and FOPS approved with rubber vibration dampers
- 2 x wipers with washer
- Clear laminated glass (front and roof windows)
- Clear toughened glass (side and rear windows)

- Fully adjustable, electrically heated operator seat
- Foot rest
- Cabin light
- Air conditioning/heating
- Rig inclination indicator

- Rear view mirror
- 24 V outlet socket
- Prepared for CD radio
- Electric combined engine/inclination hole depth instrument

Optional equipment

Carrier

- Wide body kit
- Hydraulic support leg
- Protection hand rails on top of canopy
- Extra LED worklight package
- Heavy duty air intake filters for engine and compressor
- Combined warning sound and beacon
- Manual or automatic Ansul Checkfire 210 fire extinguisher system
- Electric fuel filling pump
- Fast fuel-filling system
- Diesel-driven engine pre-heater
- Insulated and heated compressor regulation system
- Arctic Fox -40°C cold start
- Battery sliding tray

Water mist system

- Water mist system, pump, one or two 400 l water tanks
- Arctic-ready water mist system, pump, one or two 400 l water tanks

Cabin

- 6 kg dry chemical fire extinguisher, type ABE class III
- Clear laminated glass (front and roof windows)
- Tinted toughened glass (side and rear windows)
- Sunshade kit
- Radio/CD
- Reverse camera with display integrated into main display

Feed

- Service winch with jib boom mounted on the feed
- Wide feed foot
- Protective guard, according to EN16228
- 35° pre-splitting boom system
- Reverse Circulation (RC)
- Screw sampler device
- Pre-split suction hood
- Auto Feed Fold

Lubrication

- Central lubrication system, type Lincoln
- Thread lubrication, spray system
- Artic hydraulic oil, VG 32
- Tropical hydraulic oil, VG 68
- Biological hydraulic oil, VG 46

Hole and inclination systems

- Hole Navigation System
- GPS compass aiming unit
- Laser receiver

Automation and software

- BenchREMOTE remote operator station
- Rig Remote Access
- Surface Manager Reporting
- Rig Access control
- Configurable safety software

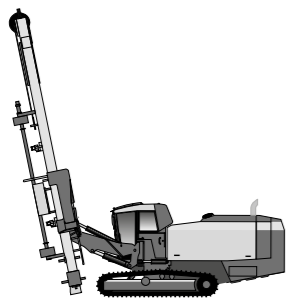
Parts and services products

- ROC Care

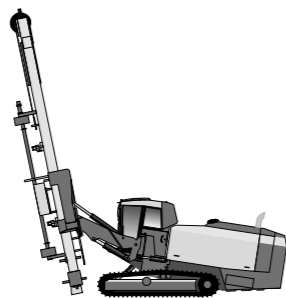
Optional accessories

- Tool kit for rotary head with fixed spindle sub
- Tool kit for rotary head with floating spindle sub
- Lubrication kit
- RCS tool box

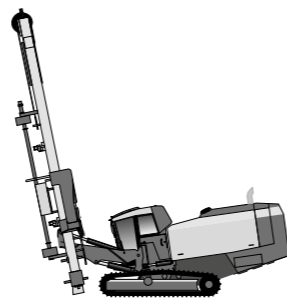
Maximum drilling angles with feed positioned towards cabin - XLF



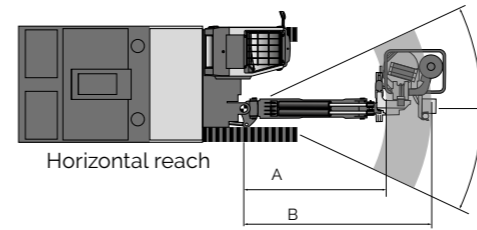
Horizontal body	
D65 XLF	-15.5°
D65 XLF with auto feed fold	-8.5°



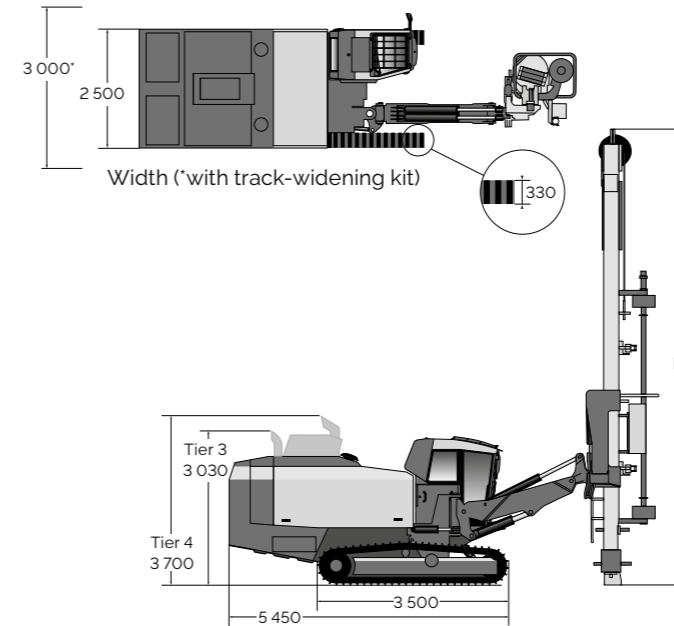
Backwards tilt body: 10°	
D65 XLF	-20.5°
D65 XLF with auto feed fold	-11.5°



Front tilt body: 10°	
D65 XLF	-11°
D65 XLF with auto feed fold	-4°

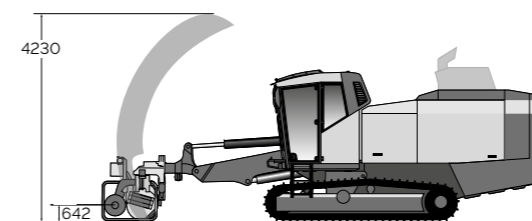


Horizontal reach (mm)	A	B	C	D
Standard feed (with or without Auto Feed Fold)	2 700	3 190	25'	25'
Long feed/XLF	2 577	3 075	17'	13'
Long feed/XLF Auto Feed Fold	2 660	2 890	17'	13'

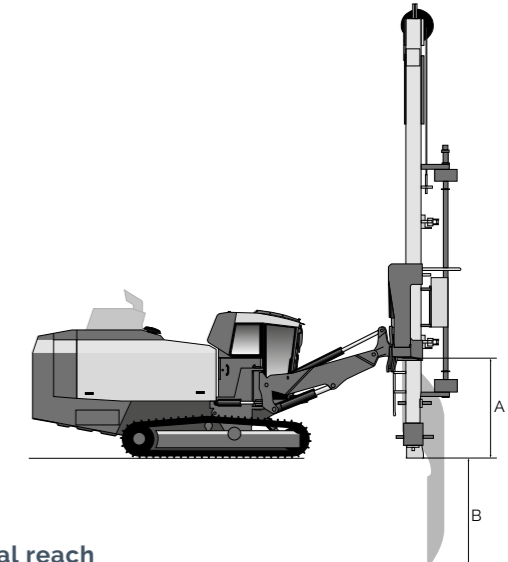


Height and length

Long feed (LF) dumped	Metric	US
Height (H1)	3 500 mm	138'
Length (L1)	11 600 mm	457'
XL feed dumped		
Height (H1)	3 500 mm	138'
Length (L1)	12 400 mm	488'
Standard feed (SF) dumped		
Height (H1)	3 500 mm	138'
Length (L1)	9 300 mm	366'
Feed height (H2)		
Long feed (LF)	11 600 mm	457'
Standard feed (SF)	9 400 mm	370'
XL feed	12 400 mm	488'

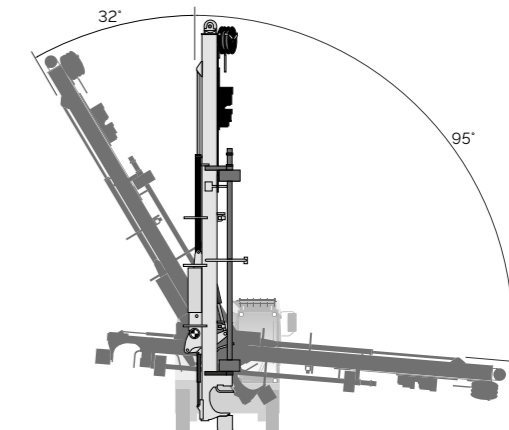
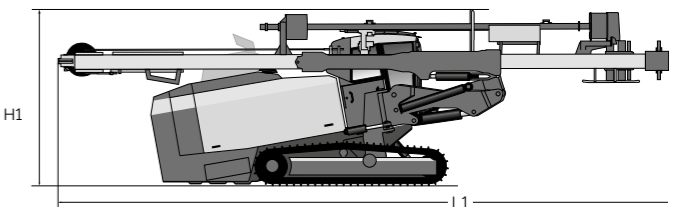


Toe-hole drilling (standard feed only)

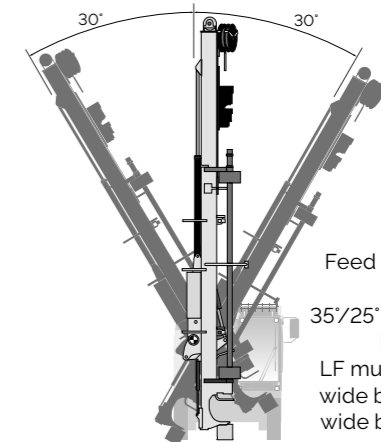


Vertical reach

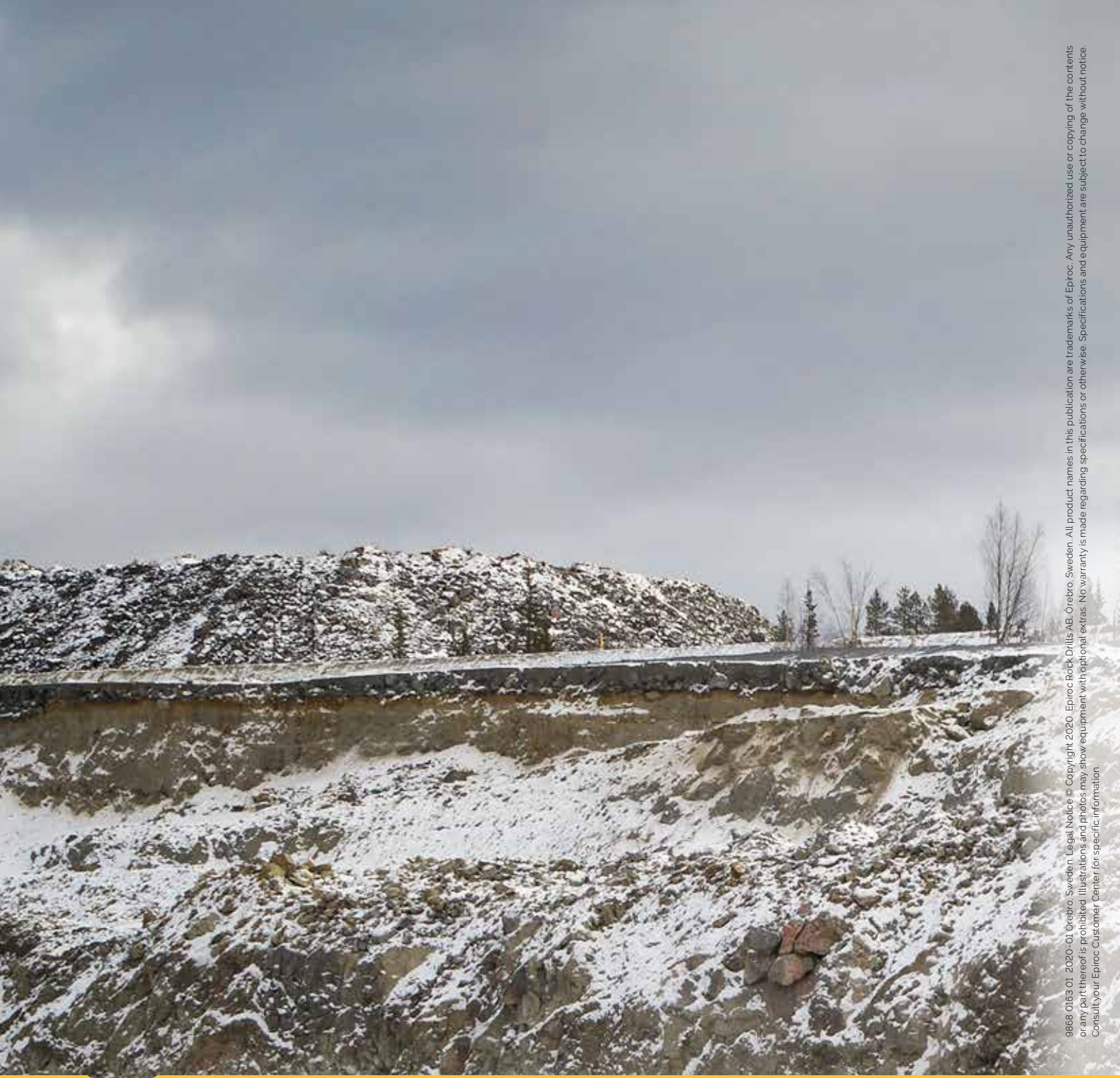
	A (Metric)	B (Metric)	A (US)	B (US)
Long feed	582 mm	2 277 mm	23'	90'
Standard feed	1 040 mm	2 659 mm	41'	105'
XL feed	672 mm	2 195 mm	26.4'	86.4'



Feed swing angles - standard feed



Feed swing angles - long feed/XL feed 35°/25° with 35° pre-splitting boom system. LF must be equipped with wide body kit. XL feed has wide body kit as standard.



9868 0163 01 2020-01 Orebro, Sweden. Legal Notice © Copyright, 2020 Epiroc Rock Drills AB, Orebro, Sweden. All product names in this publication are trademarks of Epiroc. Any unauthorized use or copying of the contents or any part thereof is prohibited. Illustrations and photos may show equipment with optional extras. No warranty is made regarding specifications or otherwise. Specifications and equipment are subject to change without notice. Consult your Epiroc Customer Center for specific information.

United in performance. Inspired by innovation.

Performance unites us, innovation inspires us, and commitment drives us to keep moving forward. Count on Epiroc to deliver the solutions you need to succeed today and the technology to lead tomorrow.
epiroc.com

